



MID CLAMP - END CLAMP - CHANNEL STRUT

Dual Rack offers clamps made with precise design accuracy using telescoping end-pieces, eliminating trimming or custom cuts. With this high quality channel strut there's no need for welding and punching. You can use repeatedly, with a wide usage range and flexibility for installation. The channel strut can also be used to secure micro inverters. All made from stainless steel, with strength and durability which has been field tested in installations all across North America.

ADVANTAGES

- ✓ Compatible with Dual Rack PV mounting systems
- ✓ Easy installation saves time
- ✓ Mechanically clamps solar panels in place
- ✓ Provides structural support
- ✓ Made from SS 6005-T5 for durability
- ✓ Universal size to connect panels to rails in variety of solar arrays
- ✓ Lock-tight bolts for secure attachments

PRODUCT LINE

Item #	Product Name
DR-CMC-01	DR Mid Clamp - Clear
DR-BMC-01	DR Mid Clamp - Black

PRODUCT LINE

Item #	Product Name
DR-CEC-01	DR End Clamp - Clear - 31mm
DR-CEC-02	DR End Clamp - Clear - 40mm
DR-CEC-03	DR End Clamp - Clear - 45mm
DR-CEC-04	DR End Clamp - Clear - 50mm
DR-BEC-01	DR End Clamp - Black - 31mm
DR-BEC-02	DR End Clamp - Black - 40mm
DR-BEC-03	DR End Clamp - Black - 45mm
DR-BEC-04	DR End Clamp - Black - 50mm

PRODUCT LINE

Item #	Product Name
DR-CCS-01	DR Channel Strut - Clear
DR-BCS-01	DR Channel Strut - Black

MATERIAL SPECIFICATIONS

Material Designation	6005-T5
Density (ρ)	168.56 lb/ft ³ (2.7g/cm ³)
Coefficient of Thermal expansion (α_r)	1.306E-05/°F (2.35E-05/°C)
Diffusivity (λ)	200.00 W/m-°K
Modulus of Elasticity (E)	10.152E06 Psi (7,000 kN/cm ²)
Shear Modulus (G)	3.916E06 Psi (2,700 kN/cm ²)

MECHANICAL PROPERTIES

Tensile Strength ($f_{u,k}$)	38.0 Ksi (26.0 kN/cm ²)
Tensile Yield Strength ($f_{y,k}$)	35.0 Ksi (24.0 kN/cm ²)
Profile Wall Thickness	($t \leq 0.39$ in/10 mm)

COMPONENT LIST

<u>Mid Clamp Set</u>	
Mid Clamp	01
Channel Strut	01
Lock-tight M8 Allen Bolt-65mm	01
Locker Washer	01
<u>End Clamp Set</u>	
End Clamp	01
Channel Strut	01
Lock-tight M8 Allen Bolt-25mm	01
Locker Washer	01
<u>Channel Strut Set</u>	
Channel Strut	01
Locker Washer	01
Lock-tight M8 Allen Bolt-25mm	01

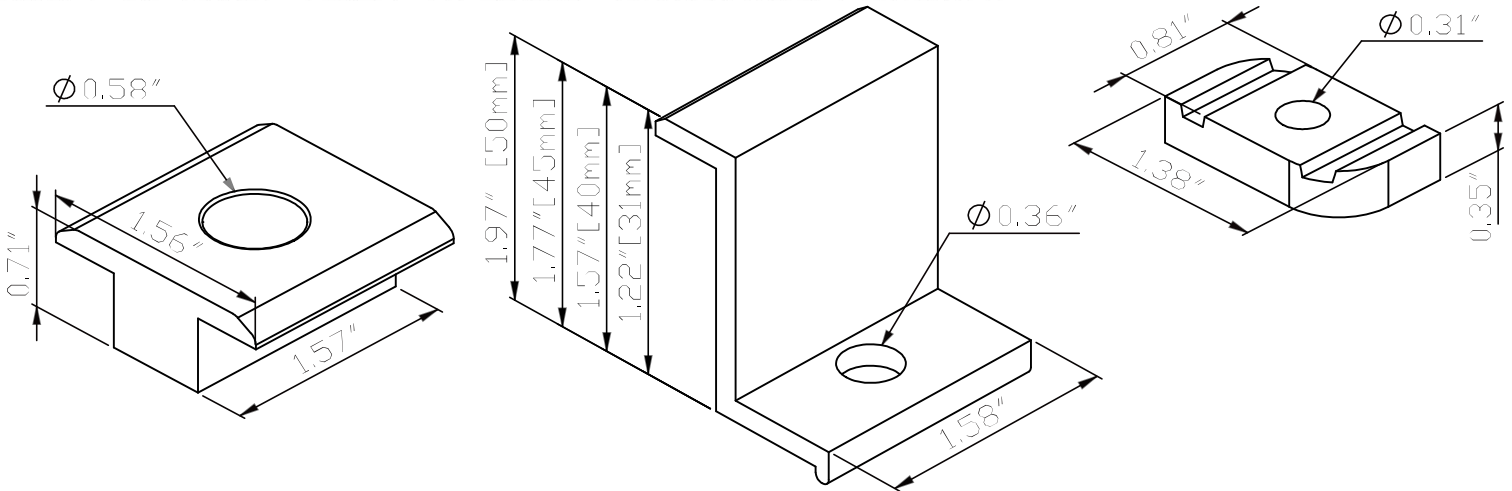
WARRANTY

10 Year limited warranty

ORDERING SPECIFICS

	Package	Small Box	Big Box
Standard Packaging	10pc	300pc	1200pc
	End Clamp	Mid Clamp	Channel Strut
Weight		0.167 lb	0.064 lb
End Clamp 31mm	0.121 lb		
End Clamp 40mm	0.139 lb		
End Clamp 45mm	0.143 lb		
End Clamp 50mm	0.150 lb		

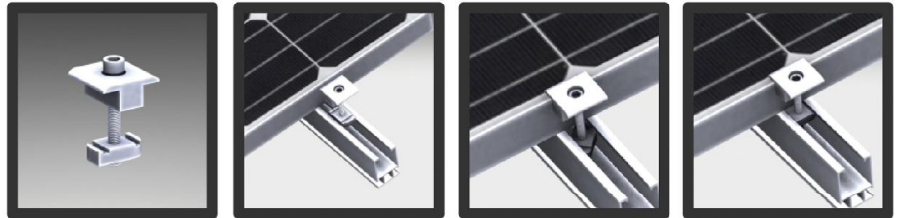
MID CLAMP END CLAMP CHANNEL STRUT



INSTALLATION GUIDE

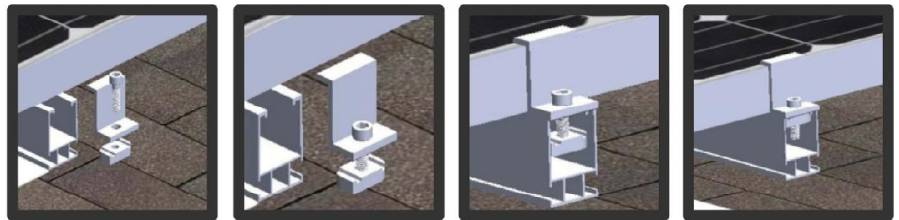
Mid Clamp

1. Insert the 3/8" hex head screw through the mid clamp and screw the bottom to the channel strut.
2. Lower the channel strut through the Dual rail gap.
3. Screw the 3/8" bolt and the channel strut will align itself with the Dual rail grooves.



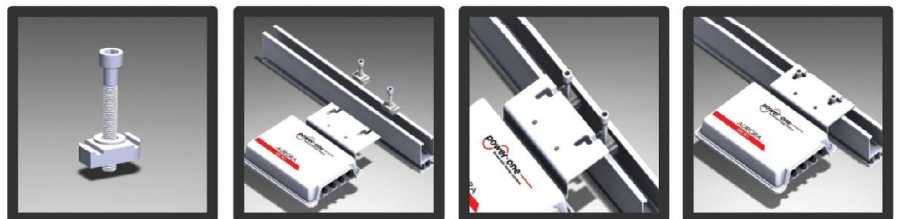
End Clamp

1. Insert the 3/8" hex head screw through the end clamp and screw the bottom to the channel strut.
2. Lower or slide the channel strut through the Dual rail gap.
3. Screw the 3/8" bolt and the channel strut will align itself with the Dual rail grooves.



Channel Strut w/ micro inverter

1. Insert the 3/8" hex head screw through the washer and screw the bottom to the channel strut.
2. Lower the channel strut through the Dual rail gap.
3. Place the micro inverter between the Rail and the washer.
4. Screw the 3/8" bolt and the channel strut will align itself with the Dual rail grooves.



CONTACT INFO



Dual Rack Inc.
241 N 10th Street, Unit 4
Sacramento, CA 95811
info@DualRack.net www.DualRack.net

DISTRIBUTOR INFO